

# INSTALACE UV EVO 110W

- vstup: 2" / připojení lepením

- výstup: 2" / připojení lepením

## CONNECTION TO YOUR PIPEWORK (evo110)

**IMPORTANT: DO NOT OVERTIGHTEN FITTINGS**

### CONNECTION USING RIGID PIPE

All fittings connected to the evo110 should be glued using solvent weld adhesive.

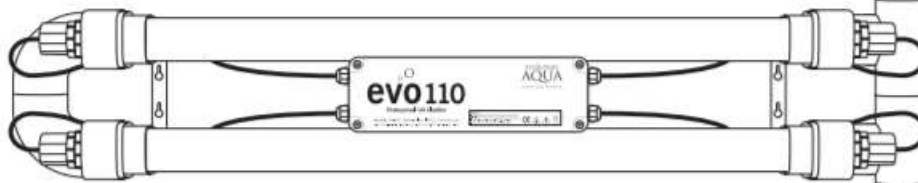
EA CODE: S79-0-500

We recommend using a 2" Double Union Ball Valve glued to a length of 2" Pressure Pipe at each end of the UV. This will enable you to isolate the UV during maintenance.

EA PIPEWORK CODE:  
**U10-0632"**  
2" Pressure Pipe

EA CODE:  
**K25-50-63"**  
2" Double  
Union  
Ball Valve

EA PIPEWORK CODE:  
**U10-0632"**  
2" Pressure Pipe



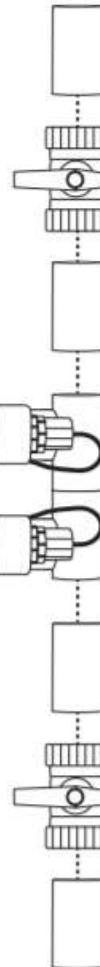
### EUROPEAN MODELS (NOT UK)

European adapter fittings are supplied with EU models to allow connection to 63mm pipe.

EA PIPEWORK CODE:  
**U10-0632"**  
2" Pressure Pipe

EA CODE:  
**K25-50-63"**  
2" Double  
Union  
Ball Valve

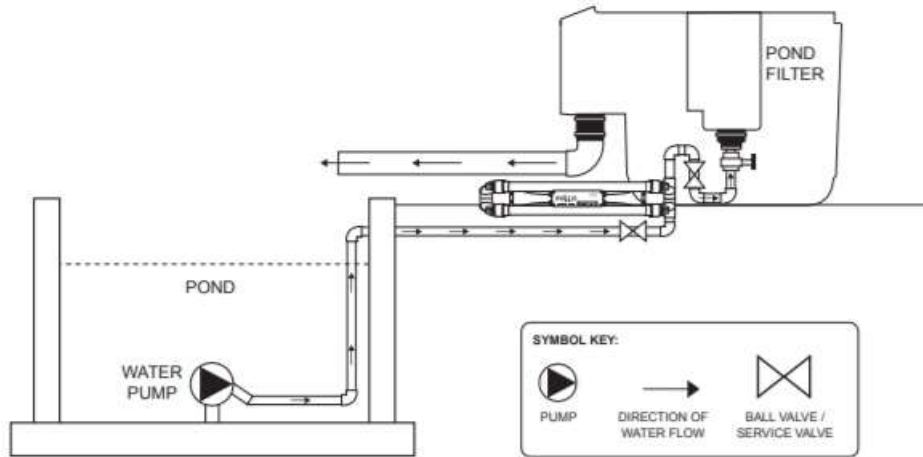
EA PIPEWORK CODE:  
**U10-0632"**  
2" Pressure Pipe



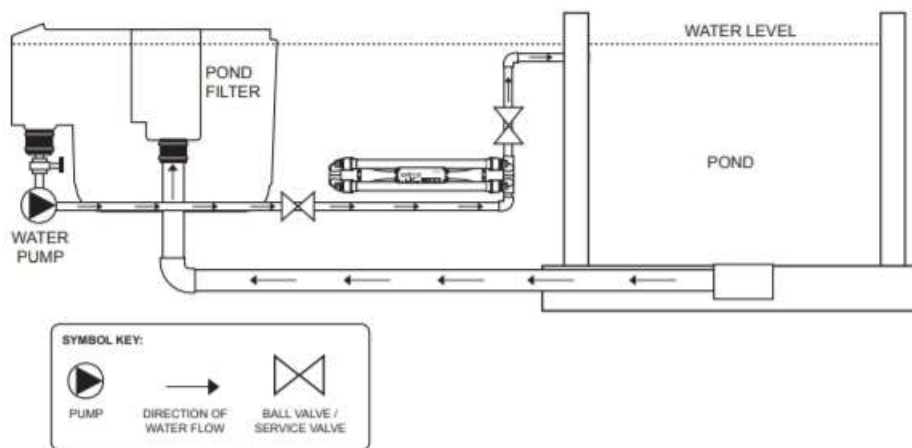
## EVO 110 CONNECTION TO PIPEWORK

evo110

### Pump Fed Installation



### Gravity Fed Installation



### PLEASE NOTE:

On Gravity Fed systems it is recommended to install a ball valve either side of the evoUV for maintenance.